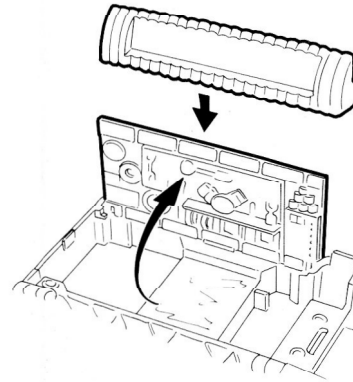
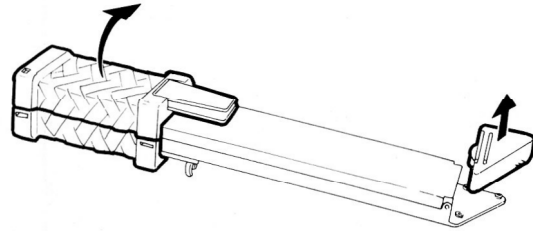


**TEENAGE MUTANT NINJA
TURTLES**
**MINI
MUTANTS
CARRY-ALONG
PLAYSETS**

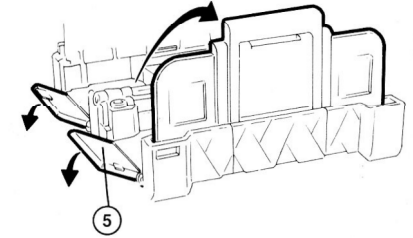
Here we go! It's time to get totally tubular with the terribly terrific Turbo Slick Skateboard Ramp and Mutant Motorcycle Repair Shop! Isn't that just like our Turtles? Even when they're working, they're having fun! Let's get ready to roll!

Getting started is easy. First remove the tip of the Katana as shown. Open up the handle as shown.



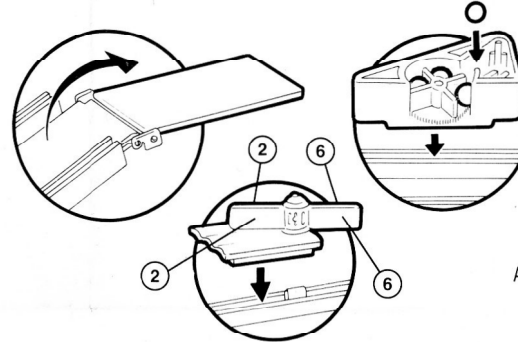
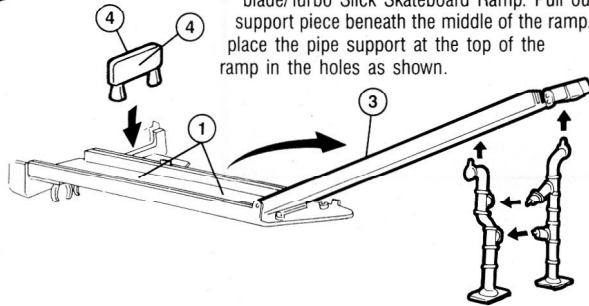
Then raise the brick wall side to create the Mutant Motorcycle Repair Shop. Slide the sign on the top of the wall as shown. You never know when Mini-Mutant Original Movie Raphael might be hangin' out, working on his favorite set of wheels.

Then raise the Burger Stand wall. This is the renown Bodacious Burger Snack Shop, where the food flies when they're having fun. Fold down the Drive-Thru ramp so our radical rollin' skateboarders can push their talents to the edge!



Kids, follow these simple blueprints, it's easy!

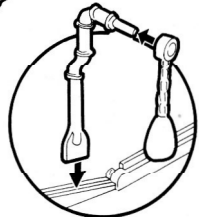
OK, let's ramp up! Open up the Katana blade/Turbo Slick Skateboard Ramp. Pull out the support piece beneath the middle of the ramp. Then place the pipe support at the top of the ramp in the holes as shown.



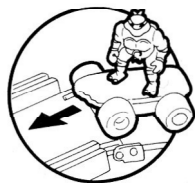
Fold out the starter ramp and we'll be ready to roll in seconds. But first, let's not make this turbo trip too easy. How about a few obstacles to the seemingly endless smooth run to the Bodacious Burger Snack Shop?

Attach the Rollin' Rocks Release Gadget into the side groove near the top of the ramp as shown. Load up the Radical Reptile Reamin' Rollin' Rocks into the grooved ammo area. Now it's time to roll. The thumbwheel turns automatically and releases them. Now you can watch a wipe out on the way!

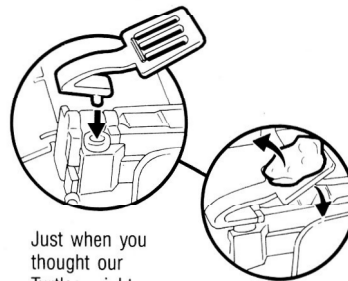
Attach the Obstacle Spinner to the side of the track as shown.



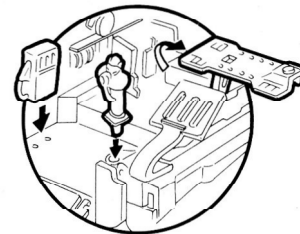
Now add the Sewer Swingin' Kowabunga Crushin' Knock-out Bag in the side groove near the middle of the ramp. Add the spinning blockade base in the side groove near the end of the ramp. Watch out, Mini-Mutant Original Movie Michaelangelo. Better duck or your head's gonna get knocked off, out and totally into another universe.



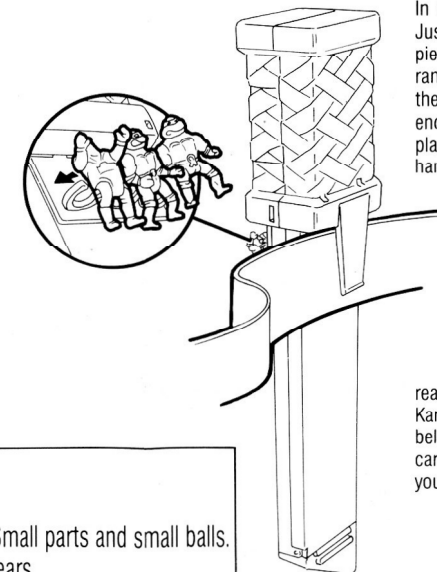
Let's get this show rolling! Place any Mini-Mutant on the skateboard, put the skateboard on the ramp and tilt it forward. Kowabunga, here we go!



Just when you thought our Turtles might make it through unscathed, look out for Mini-Mutant Krang, who's firing away with the Kowabunga Cool Spatula Launcher. Just insert the Launcher into the post at the end of the Motorcycle Repair Shop and watch the food fly. To load, place a High Flyin' Pizza Burger Bomb on the spatula, pull back and release! Ych! This is really Meals on Wheels!



If you've got a Turtle Transport Vehicle, don't forget to stop by the Real Workin' Mutant Motorcycle/Vehicle Lift. You can raise and lower your vehicle and get it back to working order in minutes! After you insert the gas pump and air pump at the other end, you can fill up too!



In a hurry? No worry. Just fold down all the pieces and fold up your ramp. Place the tip of the blade back on the end of the blade, then place the blade in the handle and you're ready to go. Don't forget to clip your Mini-Mutants into their special spot on the outside of the blade handle. Now you're ready to clip your Kantana Playset to your belt or waistband and carry it along wherever you go!

Playmates ASST. NO. 3485
STOCK NO. 3487
AGES 4 AND UP

WARNING:
CHOKING HAZARD-Small parts and small balls.
Not for children under 3 years.