

TEENAGE MUTANT NINJA TURTLES

MINI MUTANTS BODACIOUS BATTLESETS™

Kids,
follow these
simple blueprints,
it's easy!



1. The city's under siege and Mini-Mutant Toon Turtle Michaelangelo's pizza joint is about to get cooked. To get it ready for battle: Mount back wall of Pizza Parlor building onto base as shown. Then add the Awesome Awning onto top of building and slide sign into groove at top as shown.

2. Clip store front sign onto second story ledge as shown so the foul Foot fiends know just where to find Trutle territory.

3. Insert Super Saucy Street Light by sewer entrance as shown so Mini-Mutant Toon Michaelangelo has some light to fling his pizzas by.

4. Mount Flip-up Sewer Cover over Sewer hole as shown. There's a whole other world below but right now the action's street level while the pizzas fly!

5. Add Tiny Traffic Light as shown. Cleverly timed to make sure that the Foot always hits red, Mini-Mutant Toon Michaelangelo takes every second be can to prepare for those microscopic marauders.

6. Let the pizza slices soar! Insert the Hot Pizza Pie Flinger onto the base as shown. Load one Flyin' Pizza disc onto flinger. Squeeze handles together as shown to launch the pizza. Caution: Do Not aim pizzas at eyes or face.

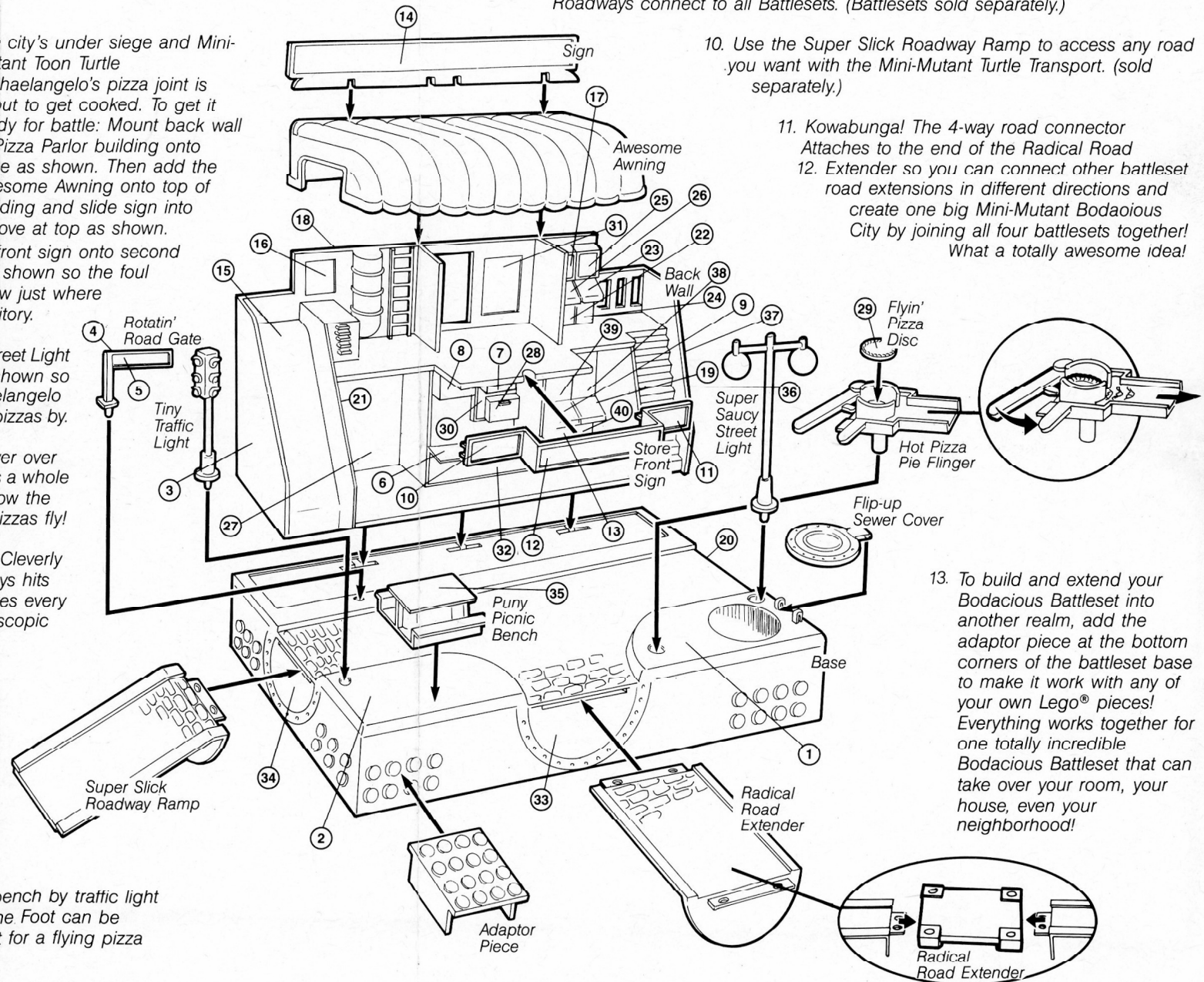
7. Plug in Rotatin' Road gate as shown. Be prepared for foolish Foot fiends not to stop.

8. Place Puny Picnic bench by traffic light as shown. Maybe the Foot can be lured to sit and wait for a flying pizza disc to "drop in"!

9. Attach the Radical Road Extender to any of the three ports on the playset base as shown. Roadways connect to other battleset ports to form a mega battle city! These ports can also be used with Hotwheels® and Matchbox® track to create a super city for the Mini-Mutant Toon battles. Roadways connect to all Battlesets. (Battlesets sold separately.)

10. Use the Super Slick Roadway Ramp to access any road you want with the Mini-Mutant Turtle Transport. (sold separately.)

11. Kowabunga! The 4-way road connector Attaches to the end of the Radical Road
12. Extender so you can connect other battleset road extensions in different directions and create one big Mini-Mutant Bodacious City by joining all four battlesets together! What a totally awesome idea!



13. To build and extend your Bodacious Battleset into another realm, add the adaptor piece at the bottom corners of the battleset base to make it work with any of your own Lego® pieces! Everything works together for one totally incredible Bodacious Battleset that can take over your room, your house, even your neighborhood!

ASST. NO. 3470
STOCK NO. 3471
AGES 4 AND UP

Playmates