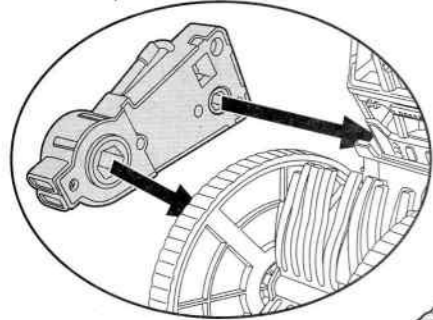
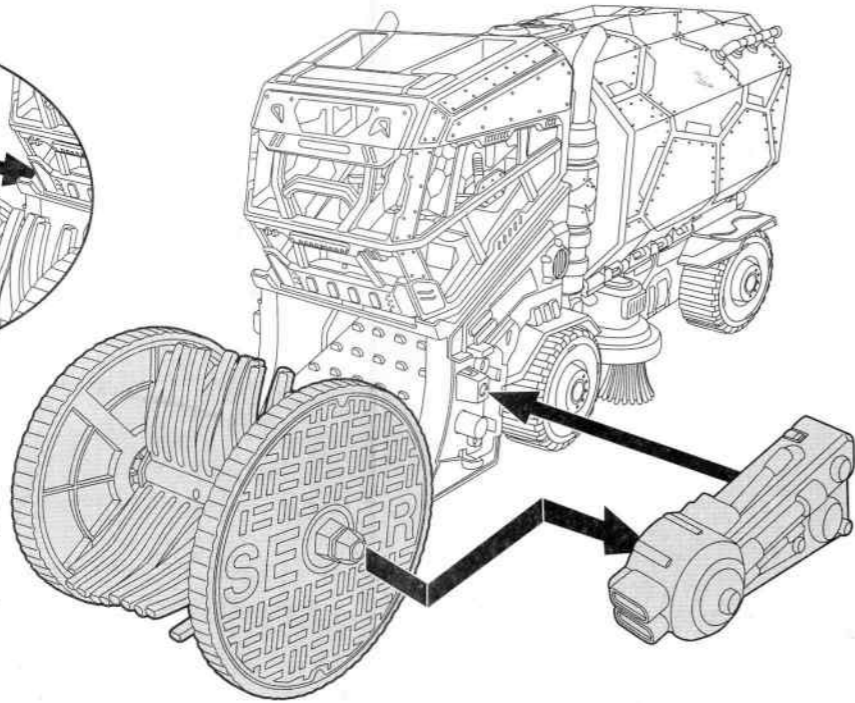


SWEEPER OPS VEHICLE PLAYSET

ASSEMBLY:

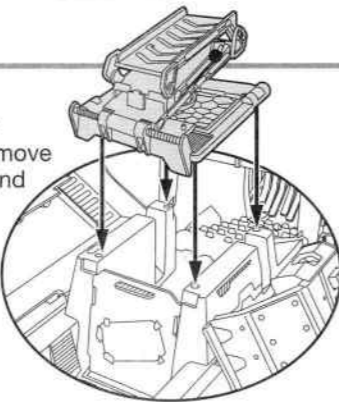


Attach front sweeper to vehicle with braces on each side. Snap into place as shown in diagram. Front sweeper has a right and left wheel designation. If it's put on the wrong way, it will not activate the conveyor belt.

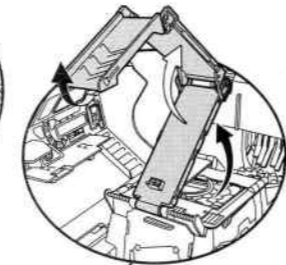


FEATURES:

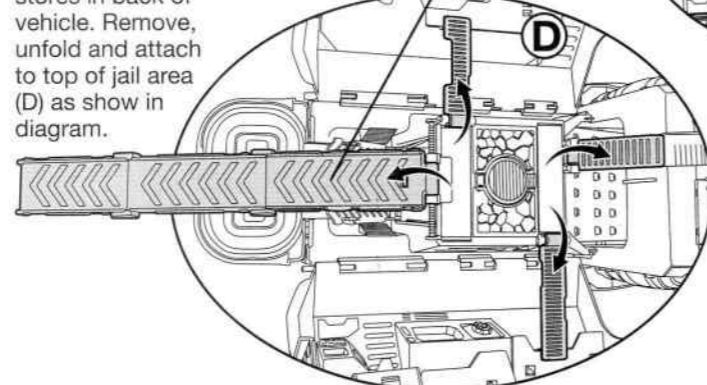
3. Attach top of jail by snapping in to place. Jail door opens to remove figures from jail (C), and surprise drop down trap door on top! Ramp is removable.



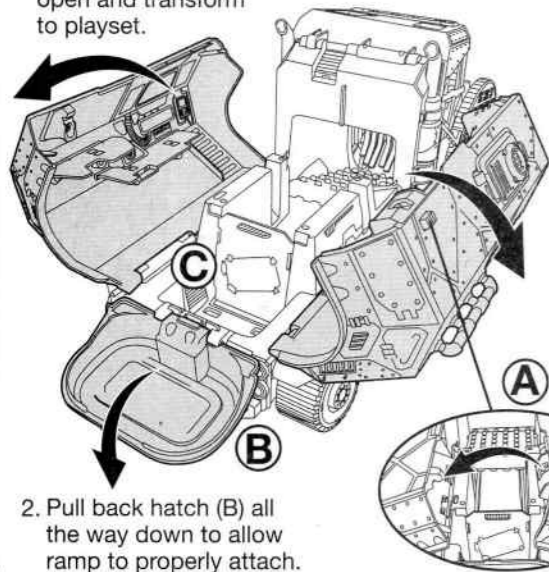
4. Unfold walkways on top of jail area to create walkways for your Micro Figures (make sure to fold walkways before you store ramp and close playset).



5. Getaway Ramp stores in back of vehicle. Remove, unfold and attach to top of jail area (D) as show in diagram.



1. Press button (A) on top of sweeper to open and transform to playset.

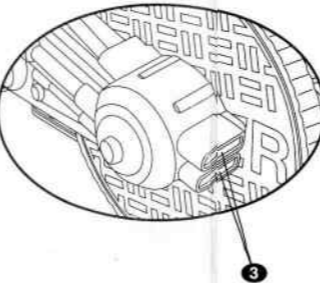
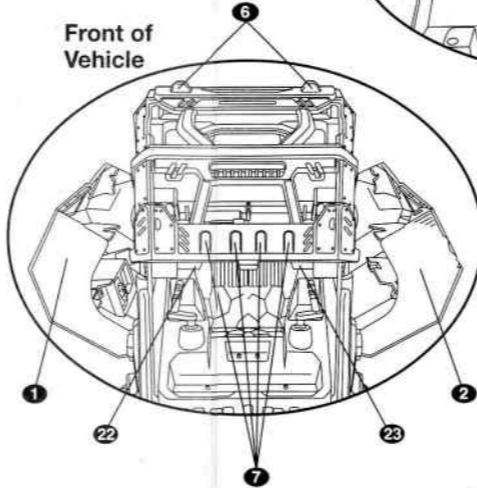


2. Pull back hatch (B) all the way down to allow ramp to properly attach.

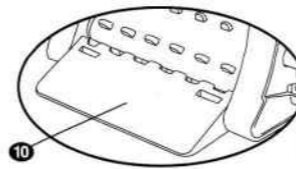
II. Stickers:

Attach stickers as shown.

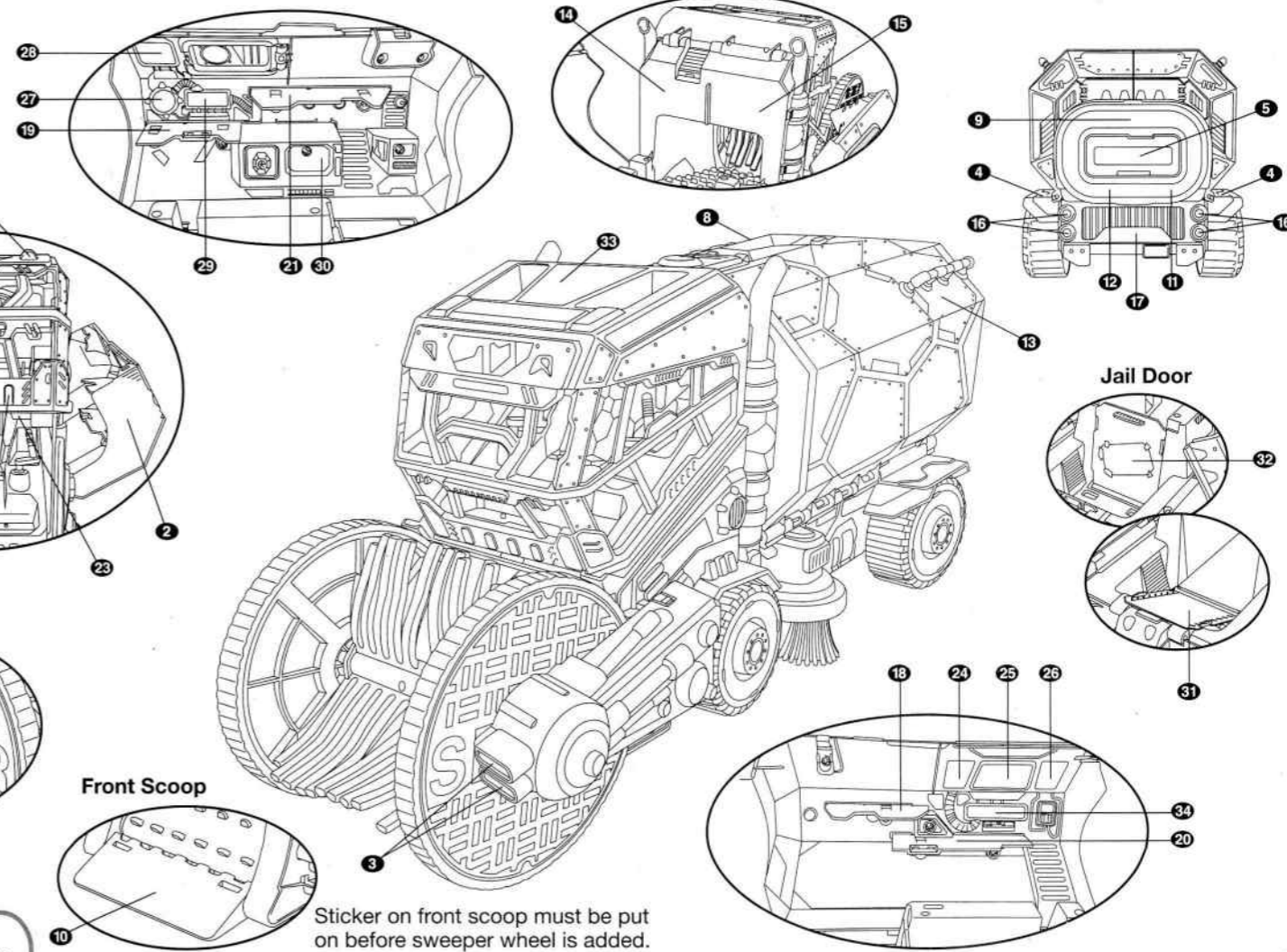
Front of Vehicle



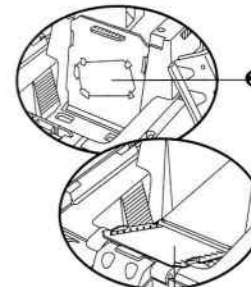
Front Scoop



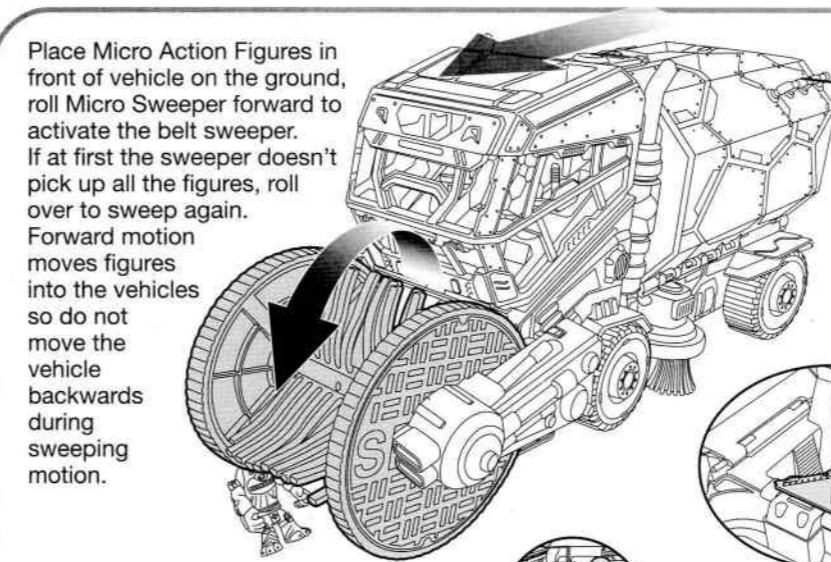
Sticker on front scoop must be put on before sweeper wheel is added.



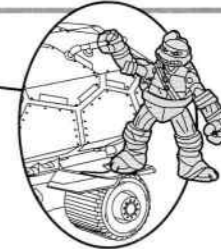
Jail Door



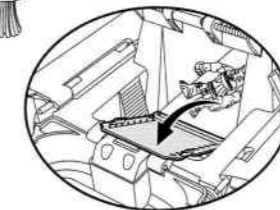
Place Micro Action Figures in front of vehicle on the ground, roll Micro Sweeper forward to activate the belt sweeper. If at first the sweeper doesn't pick up all the figures, roll over to sweep again. Forward motion moves figures into the vehicles so do not move the vehicle backwards during sweeping motion.



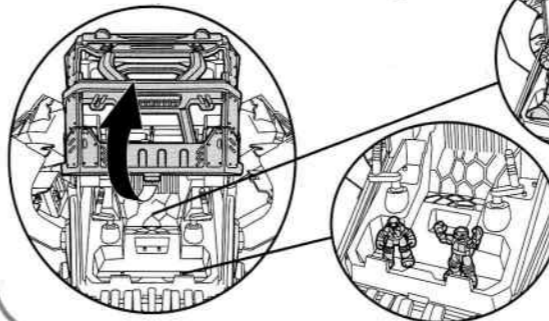
4.5-5" Basic Figures can also be used with Vehicle!



Jail door opens to remove figures from jail.



Place Micro Action Figures in front cab of vehicle with pegholes on their feet, or use your TMNT 4.5"-5" Basic Figure also!!!



Micro Transport Vehicles sold separately can be used on ramp for getaway!

