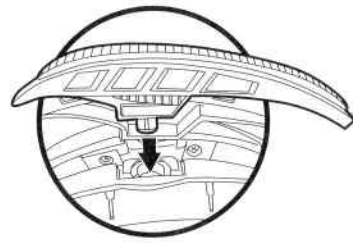
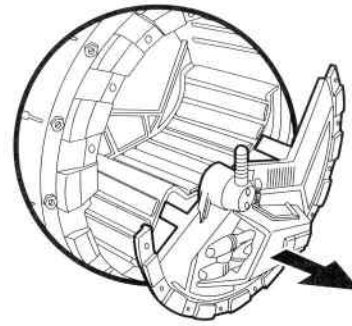




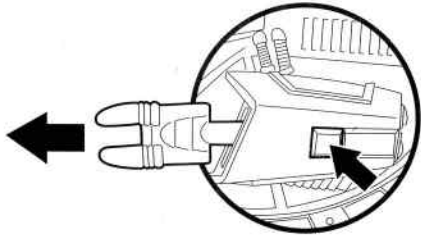
STEEL WHEEL MIKE INSTRUCTIONS



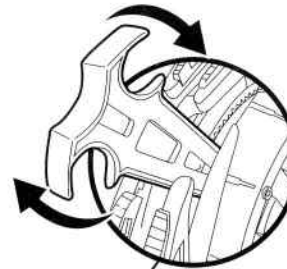
1. Insert the outer quadro-tread track into the hole.



2. Pull out the left side of the seat to place the figure into position with his hands holding the handlebars. Then, push the seat back into place and you're ready to roll!

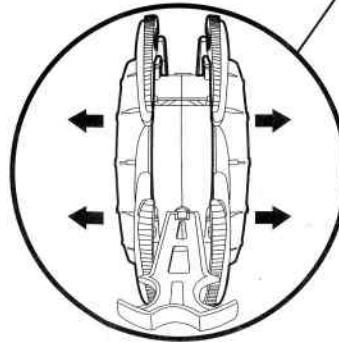
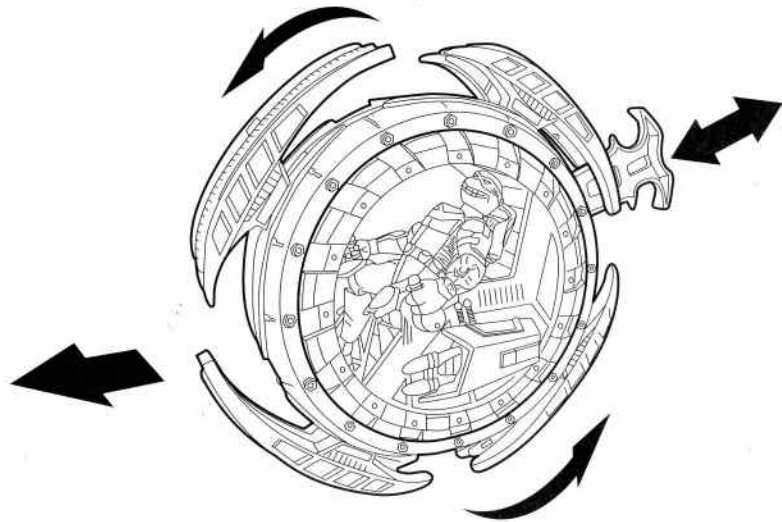


3. Press the button to fire the missiles (left & right sides).

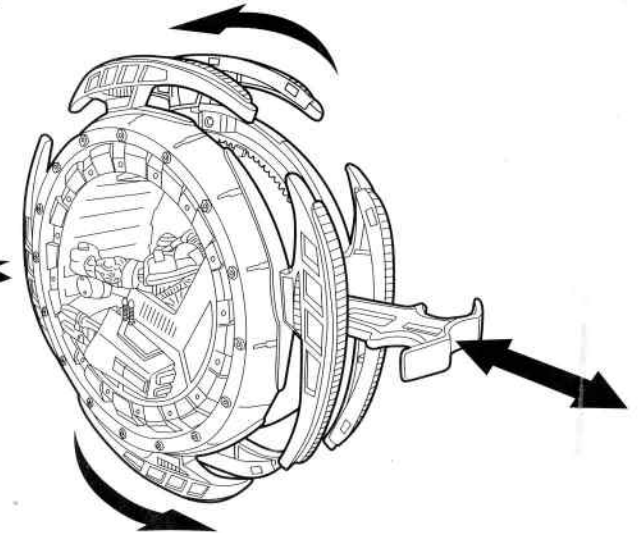


There are two rolling modes: Stealth and Normal

4. Stealth mode: Turn the steering grip to vertical position so the Steel Wheel is closed. Push and roll Mike forward while the Steel Wheel rolls silently.



5. Normal mode: Turn the steering grip to horizontal position to split apart the Steel Wheel's tracks. Push and roll Don/Mike forward while the Steel Wheel clicks in motion.



Age 4 and up

Playmates ASST. NO. 53170
STOCK NO. 53231

Do not use projectiles other than those provided by the toy.

Teenage Mutant Ninja Turtles® © 2006 Mirage Studios, Inc. Teenage Mutant Ninja Turtles®, Leonardo®, Michelangelo®, Raphael®, Donatello®, Splinter®, Shredder®, and April O'Neil® are registered trademarks of Mirage Studios, Inc. All Rights Reserved. PRINTED IN CHINA.

WARNING: CHOKING HAZARD
Small parts. Not for Children under 3 years.