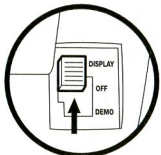




ELECTRONIC SHELL CELL INSTRUCTIONS:



To Operate Unit:

- Locate Operation switch on back of unit.
- Switch the operation switch to the DISPLAY position for normal play (switch it to the OFF position when not in use).

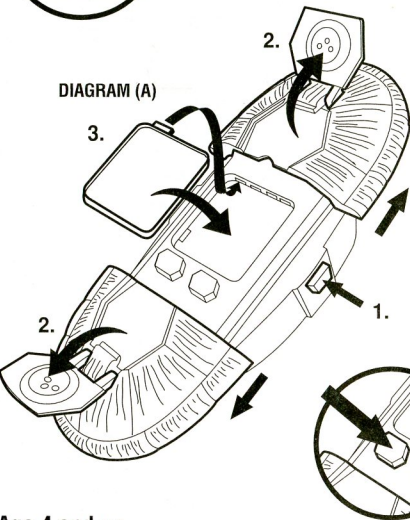


DIAGRAM (A)

Age 4 and up

Playmates®

STOCK NO. 54065

FROM DIAGRAM (B):

- To remove cartridge, press side buttons while unit is in open mode.
- Cartridge can then be removed as shown and replaced with another one.

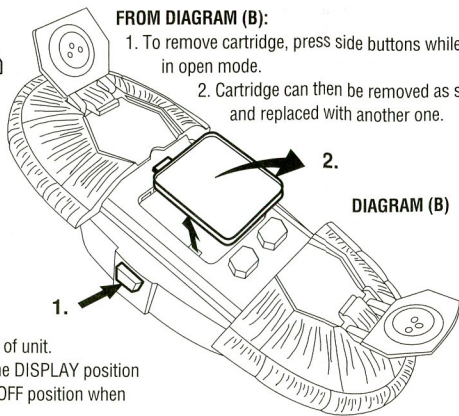


DIAGRAM (B)

FROM DIAGRAM (A):

- To open unit press side buttons at the same time. The Shell Cell will then split and slide open as shown
- With your finger, flip up the pretend ear and voice pieces as shown
- Insert one of the 2 Turtle cartridges as shown. Each cartridge has a different Turtle one each side. Just insert the cartridge with the picture of the Turtle you want to pretend to "talk" to with the tab located at the top as shown.



The extra cartridge stores up inside the top half of the Shell Cell as shown. Just use your thumbnail to retrieve it when you want to switch cartridges.

To pretend to "talk" to your favorite Teenage Mutant Ninja Turtle, just press the talk button as shown. You will then hear that particular turtle speak. Press it again and he'll say something different. Each Turtle has lots of different things to say as you pretend to have an adventure with them!

To replace batteries:

- Remove screw from battery cover and remove battery cover door.
- Replace batteries with two new "AAA" batteries.
- Replace cover and replace screw.

Battery Regulations:

- do not mix old and new batteries,
- do not mix alkaline, standard (carbon-zinc), or rechargeable (nickel-cadmium) batteries.

This device complies with Part 15 of the FCC Rules. Operation is subject to the following two conditions: (1) this device may not cause harmful interference, and (2) this device must accept any interference received, including interference that may cause undesired operation

To Reset: Slide the switch to "Off" position.

Battery Instructions:

- do not use rechargeable batteries;
- non-rechargeable batteries are not to be recharged;
- different types of batteries or new and used batteries are not to be mixed;
- only batteries of the same or equivalent type as recommended are to be used;
- batteries are to be inserted with the correct polarity;
- exhausted batteries are to be removed from the toy;
- the supply terminals are not to be short-circuited.

Under the environment with severe electrostatic discharge, the product may malfunction and requires user reset.

